

# ABSOLUTE Digimatic Indicator ID-C

**SERIES 543 — with Max./Min. Value Holding Function**



## FEATURES

- The new Peak Hold-Type Digimatic Indicator features both a Key-Lock and Parameter-Lock. This is designed to prevent accidental changing of settings during operation.
- Parameter setting software makes it even easier to set all of the available parameters
- An analog bar provides easy to read values when scanning for Max, Min, and TIR Values
- The maximum, minimum, or runout value can be displayed during measurement.
- GO/±NG judgment is performed by setting the upper and lower tolerances for max., min. and runout values.
- High speed sampling ratio of 50 times/s.
- Employing the ABSOLUTE linear encoder, the Signal ID-C always displays the spindle "Absolute Position" from the origin at power-on.



543-302B

## SPECIFICATIONS

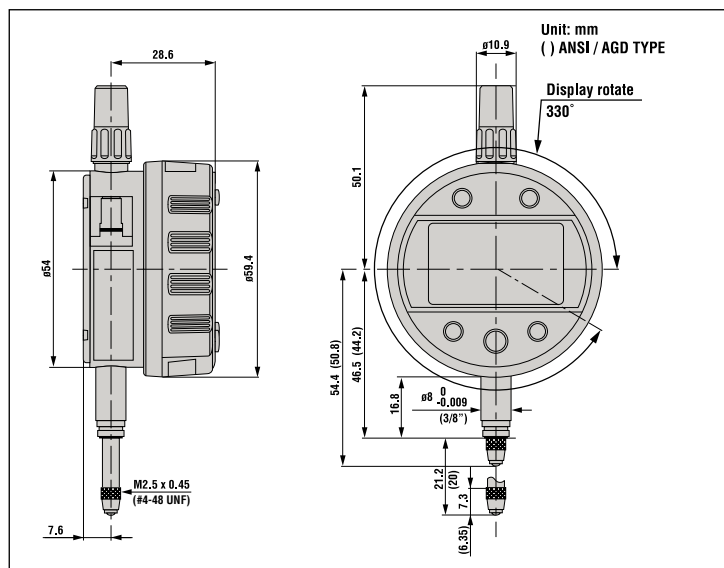
ISO/JIS type    ANSI/AGD type

Resolution	Range	Order No.		Model	Accuracy
		w/lug	Flat-back		
.00005/.0001/.0005" 0.001/0.01mm Selectable	.5"/12.7mm	<b>543-302</b>	<b>543-302B</b>	ID-C112AEX(B)	±.00010"/0.003mm

Resolution	Range	Order No.		Model	Accuracy
		w/lug	Flat-back		
.00005/.0001/.0005" 0.001/0.01mm Selectable	.5"/12.7mm	<b>543-301</b>	<b>543-301B</b>	ID-C112AMX(B)	±.00010"/0.003mm

Resolution	Range	Order No.		Model	Accuracy
		w/lug	Flat-back		
0.001-0.01mm Selectable	12.7mm	<b>543-300</b>	<b>543-300B</b>	ID-C112AX(B)	0.003mm

## DIMENSIONS



## Technical Data

Accuracy: Refer to the list of specifications  
 Resolution: 0.001-0.01mm or .00005-.0005"/  
 0.001-0.01mm  
 Display: LCD  
 Length standard: ABSOLUTE electrostatic capacitance type  
 linear encoder  
 Max. response speed: Unlimited  
 Measuring force: 1.5N or less  
 Battery: CR2032 (1 pc.), **05SAA217**  
 Battery life: Approx. 12 months under normal use  
 IP Rating: Equivalent to IP-42<sup>\*1</sup>

<sup>\*1</sup> A protection class indication (IP=International Protection) is based on the IEC 60529 / DIN40050 part 1 / JIS D0207, C0920. The level indicated is valid only if the output connector cap is installed.

## Function

Key Lock, Parameter Lock, PC-USB Input, Analog Bar, FAST measurement frequency, Preset (up to 3 values), Tolerance Judgment, Peak Detection, Calculation (Ax), inch/mm conversion (on inch/metric models only) Counting direction switching, Data Output  
 Alarm: Low voltage, Counting value composition error, Over-flow error, Tolerance limit setting error

## Optional Accessories

- 905338:** Connecting Cable (1m)
- 905409:** Connecting Cable (2m)
- 21EZA313:** Parameter Setting USB Cable
- 21EZA198:** Spindle lifting lever (12.7mm ISO/JIS type)
- 21EZA199:** Spindle lifting lever (12.7mm ASME/AGD type)
- 540774:** Spindle lifting cable
- : Backs (See page F-33.)
- : Contact points (See page F-34.)